

CUCCOLINI®

INTESA

THE ORIGINAL, THE REFERENCE



CUCCOLINI® INTESA

Further to a successfully concluded co-operation agreement, INTESA, the new company of the SACMI group, is now the proud owner of the CUCCOLINI trademark for the ceramics sector. INTESA has therefore acquired exclusive rights on CUCCOLINI products for the ceramic industry.

Cuccolini is a renowned brand. Its products are appreciated all over the world and it is the reference company when it comes to "screening and iron removal". It is now part of the activities of INTESA SpA that has acquired its dynamic and professional approach to offer customers even more care and attention. Cuccolini products are the ideal complement of the Intesa range, in the field of glazing equipment, and the Sacmi range, in the field of raw material preparation. Its incorporation therefore represents a natural evolution of the group.

The close and long-term cooperation between Cuccolini and the SACMI group continues and now includes the production stage so as to maintain the renowned quality of CUCCOLINI products and improve this further still.

Thanks to the work of the Technical Management of Intesa-Cuccolini, represented by Marco Brighenti, new projects will soon be implemented to complete the range of machines with innovative solutions that have the aim of optimising production, reducing costs and energy consumption. A technical and commercial team, supervised by Ivan Bondani, is at your disposal to establish an even closer relationship between customer and supplier.

Perfect synchronisation with the technical, sales and development activities of SACMI offer added value and quality to the product and services.

The many branches of the group, located in all the ceramic districts of the worlds, guarantee customers timely and top quality service and assistance.

CUCCOLINI
The Managing Director


Klaus Hardt

INTESA
The Managing Director

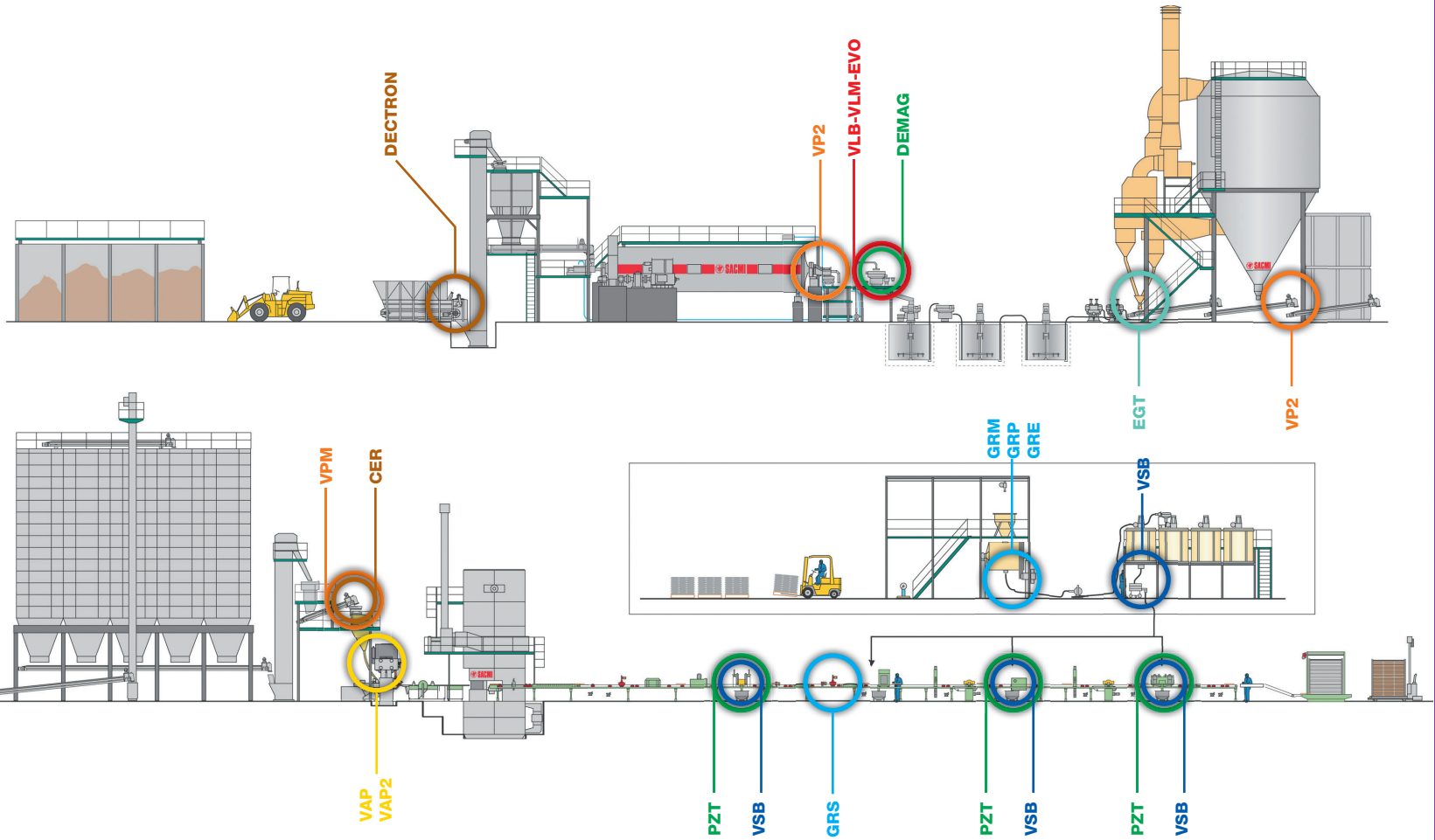

Davide Medici

INTESA
The Chairman


Enrico Farina



APPLICATION



VIBRATING SIEVES - Press feeding

VAP 600 - 800



Spray dried powder screening system installed behind the press. Installing this unit upstream to the press feeder carriage eliminates lumps of powder.

Construction features

- Tilted bottom section.
- Motor vibrator with IP65 protection rating.
- Totally automatic and independent operation.

Technical features

	VAP 600	VAP 800
Electrical power (kW)	0.48	0.48
Centrifugal force (kg)	420	600
Screening decks	1	1
Mesh surface (m ²)	0.264	0.36
Weight (kg)	125	145

Application

- Screening and grading spray dried powders to be fed to presses.

Advantages

- Easy to clean.
- Quick installation.
- Easy maintenance.

Spray dried powder screening system installed behind the press. Installing this unit upstream to the press feeder carriage eliminates lumps of powder.

Construction features

- Tilted bottom section.
- Motor vibrator with IP65 protection rating.
- Totally automatic and independent operation.

Technical features	VAP 900	VAP 1200
Electrical power (kW)	0.73	1.25
Centrifugal force (kg)	850	1300
Screening decks	1	1
Mesh surface (m ²)	0.587	0.932
Weight (kg)	290	435

Application

- Screening and grading spray dried powders to be fed to presses.

Advantages

- Easy to clean.
- Quick installation.
- Easy maintenance.



VIBRATING SIEVES - Press feeding

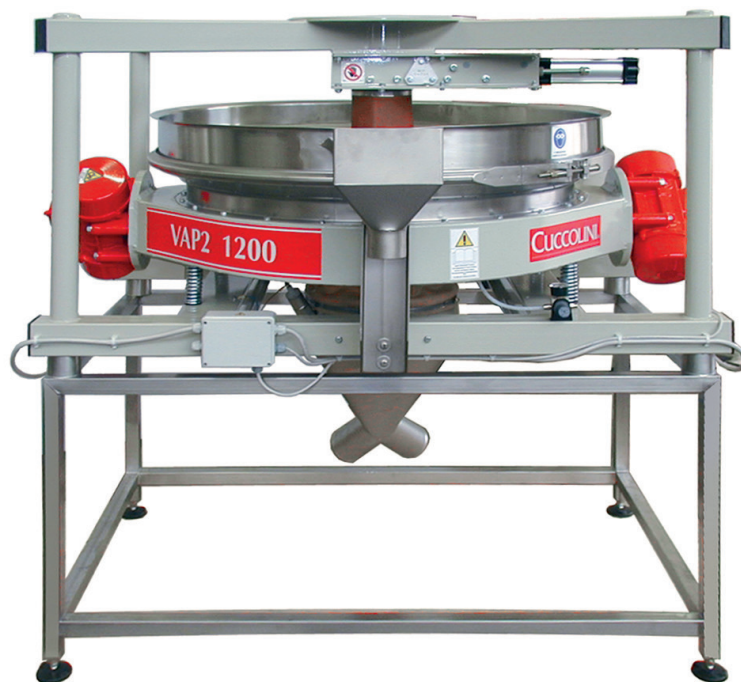
VAP2 800 - 900 - 1200

CUCCOLINI
INTESA

Spray dried powder screening system installed behind the press. Installing this unit upstream to the press feeder carriage eliminates lumps of powder.

Construction features

- Fully open bottom section to facilitate emptying.
- Side motor vibrators, IP 65 protection rating, ATEX-certified, zone 22.
- Totally automatic and independent operation.



Technical features	VAP2 800	VAP2 900	VAP2 1200
Electrical power (kW)	0.3 + 0.3	0.62+0.62	0.62+0.62
Centrifugal force (kg)	854	1342	1342
Screening decks	1	1	1
Mesh surface (m ²)	0.36	0.587	0.932
Weight (kg)	150	330	380

Application

- Screening and grading spray dried powders to be fed to presses.

Advantages

- Large discharge outlet to eliminate sieve encrustation.
- Immediate evacuation of sifted product.
- Easy to clean.
- Quick installation.

Round sieve with open bottom section for grading powder and liquid. The special construction reduces vertical space requirements to a minimum. Ideal for grading micronised or colouring materials since it prevents the formation of screening residues.

Construction features

- Open bottom section with outlet.
- Parts in contact with material handled are made of AISI 304 stainless steel.
- Two side motor vibrators, IP 65 protection rating, ATEX-certified, zone 22.

Technical features	VP2 450
Electrical power (kW)	0.18 + 0.18
Centrifugal force (kg)	394
Screening decks	1 - 2
Mesh surface (m ²)	0.104
Weight (kg)	35 - 45

Application

- For press feeding systems.
- At the outlet of hoppers.
- For powder transfer lines.

Advantages

- A high output thanks to the large centre outlet.
- No formation of scales.
- Easy to install thanks to the low profile.



VIBRATING SIEVES - Powder screening

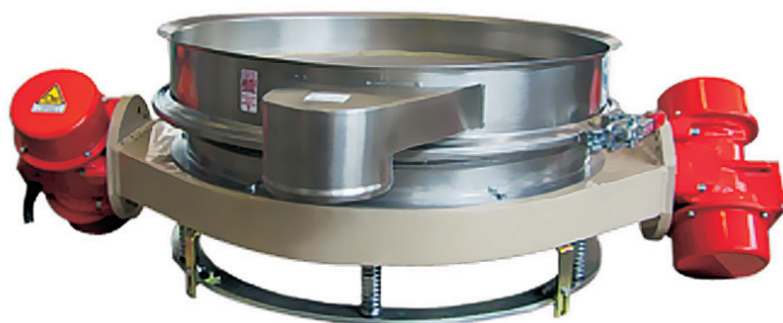
VP2 500 - 800

CUCCOLINI[®]
INTESA

Round sieve with open bottom section for grading powder and liquid. The special construction reduces vertical space requirements to a minimum. Ideal for grading micronised or colouring materials since it prevents the formation of screening residues.

Construction features

- Open bottom section with outlet.
- Two side motor vibrators, IP 65 protection rating, ATEX-certified, zone 22.
- Parts in contact with material handled are made of AISI 304 stainless steel.



Technical features

	VP2 500	VP2 800
Electrical power (kW)	0.17 + 0.17	0.3 + 0.3
Centrifugal force max (kg)	426	854
Screening decks	1 - 2	1 - 2
Mesh surface (m ²)	0.196	0.36
Weight (kg)	60 - 100	95 - 140

Application

- For powder transfer lines.
- At the outlet of storage silos.
- At the outlet of spray dryers.
- For press feeding systems.
- At the outlet of continuous mills.

Advantages

- A high output thanks to the large centre outlet.
- No formation of scales.
- Easy to install thanks to the low profile.

Round sieve with open bottom section for grading powder and liquid. The special construction reduces vertical space requirements to a minimum. Ideal for grading micronised or colouring materials since it prevents the formation of screening residues.

Construction features

- Open bottom section with outlet
- Two side motor vibrators, IP 65 protection rating, ATEX-certified, zone 22.
- Parts in contact with material handled are made of AISI 304 stainless steel.

Technical features

	900	1200	1500
Electrical power (kW)	0.62 + 0.62	0.62 + 0.62	0.9 + 0.9
Centrifugal force tot. (kg)	1342	1342	2810
Screening decks	1 - 2	1 - 2	1 - 2
Mesh surface (m ²)	0.587	0.932	1.575
Weight (kg)	200 - 230	250 - 280	320 - 370

Application

- For powder transfer lines.
- At the outlet of storage silos.
- At the outlet of spray dryers.
- For press feeding systems.
- At the outlet of mills.

Advantages

- A high output thanks to the large centre outlet.
- No formation of scales.
- Easy to install thanks to the low profile.



VIBRATING SIEVES - Powder screening

VPB 450

CUCCOLINI
INTESA

Round sieve for grading powders in general. The compact dimensions and trolley with adjustable height make it particularly handy and suitable for use in laboratories.

Construction features

- Structure and trolley made of AISI 304 stainless steel.
- Cylindrical upper ring with knobs for clamping.
- Electric motor vibrator, IP 65 protection rating.



Technical features

VPB 450

Electrical power (kW)	0.18
Centrifugal force (kg)	170
Screening decks	1
Mesh surface (m ²)	0.104
Weight (kg)	46

Application

- Powder screening.

Advantages

- Easy to clean.
- Compact dimensions.
- Easy to install.

Round screen for grading spray dried powder and solid materials in general.

Very versatile, practical, easy to handle and to disassemble.

Construction features

- Stainless steel trolley.
- Upper cylindrical band.
- Quick clamping ring.

Technical features

	VPB 500	VPB 800
Electrical power (kW)	0.3	0.73
Centrifugal force (kg)	400	680
Screening decks	1 - 2	1 - 2
Mesh surface (m ²)	0.22	0.36
Weight (kg)	60 - 68	70 - 80

Main accessories

- Cover with inspection hatch and diffuser.
- Automatic net cleaning system.

Application

- Powder screening.

Advantages

- Easy to clean.
- Compact dimensions.
- Easy to install.



VIBRATING SIEVES - Powder screening

VPM 900 - 1200 - 1500 1/X - 2000 1/X

CUCCOLINI[®]
INTESA

Round screen for grading spray dried powder and solid materials in general. Twenty years of technical upgrading, the wide range of available, the accessories and tested effectiveness and reliability make VPM the best choice for eliminating troublesome lumps of powder.

Construction features

- Ring clamping system.
- Parts in contact with materials are made of AISI 304 stainless steel.
- Product outlet with tilted surface.
- Electric motor vibrator, IP 65 protection rating.

Technical features

Technical features	VPM 900 1/X	VPM 1200 1/X	VPM 1500 1/X	VPM 2000 1/X
Electrical power (kW)	0,73	1,25	1,5	4,25
Centrifugal force (kg)	850	1300	2150	6000
Screening decks	1	1	1	1
Mesh surface (m ²)	0,587	0,932	1,575	2,7
Weight (kg)	200	240	400	850

Main accessories

- Cover with inspection hatch and diffuser.
- Automatic net cleaning system.
- Non-stick bottom section.

Application

- Grading powder and granular materials in general.

Advantages

- High performance thanks to the great centrifugal force applied to the motor.
- Accurate screening by virtue of the square mesh nets.
- Rapid ejection of reject material above the net, to increase the output and service life of the nets.
- Extremely reliable thanks to the sturdy structure.
- Low noise level.



Round screen for grading spray dried powder and solid materials in general. Twenty years of technical upgrading, the wide range of available, the accessories and tested effectiveness and reliability make VPM the best choice for eliminating troublesome lumps of powder.

Construction features

- Ring clamping system.
- Parts in contact with materials are made of AISI 304 stainless steel.
- Product outlet with tilted surface.
- Electric motor vibrator, IP 65 protection rating.

Technical features

Technical features	VPM 9002/X	VPM 12002/	VPM 1500 2/X	VPM 2000 2/X
Electrical power (kW)	0,73	1,25	1,5	4,25
Centrifugal force (kg)	850	1300	2150	6000
Screening decks	2	2	2	2
Mesh surface (m ²)	0,587+0,587	0,932+0,932	1,575+1,575	2,7+2,7
Weight (kg)	230	280	470	950

Main accessories

- Cover with inspection hatch and diffuser.
- Automatic net cleaning system.
- Non-stick bottom section.

Application

- Grading powder and granular materials in general.

Advantages

- High performance thanks to the great centrifugal force applied to the motor.
- Accurate screening by virtue of the square mesh nets.
- Rapid ejection of reject material above the net, to increase the output and service life of the nets.
- Extremely reliable thanks to the sturdy structure.
- Low noise level.

SIEVES FOR
POWDER



VIBRATING SIEVES - Slip screening VLB 900 - 1200 - 1500 1/X

CUCCOLINI[®]
INTESA

Round sieve for slips and waste water in general. Production of this sieve began thirty years ago. Over the years, it has been upgraded and innovated to reach the current level of reliability and high performance. The vibrating system keeps the net free from any residue and allows for non-stop machine operation.

Construction features

- High spray guard with ring clamping system.
- AISI 304 stainless steel structure.
- Galvanised base with ABS hatch.
- Electric motor vibrator, IP 65 protection rating.
- Wear-proof diffuser with quick coupling.



PATENTED model

Technical features	VLB 900 1/X	VLB 1200 1/X	VLB 1500 1/X
Electrical power (kW)	0.73	1.25	1.5
Centrifugal force (kg)	700	1300	2200
Screening decks	1	1	1
Mesh surface (m ²)	0.587	0.932	1.575
Weight (kg)	140	165	270

Application

- Slip screening after milling.
- Waste water screening.

Advantages

- High performance thanks to the great centrifugal force applied to the motor.
- Rapid ejection of reject material above the net, to increase the output and service life of the nets.
- Extremely reliable thanks to the sturdy structure.

Round sieve for slips and waste water in general.
Production of this sieve began thirty years ago. Over the years, it has been upgraded and innovated to reach the current level of reliability and high performance.
The vibrating system keeps the net free from any residue and allows for non-stop machine operation.

Construction features

- High spray guard with ring clamping system.
- AISI 304 stainless steel structure.
- Galvanised base with ABS hatch.
- Electric motor vibrator, IP 65 protection rating.
- Wear-proof diffuser with quick coupling.

Technical features	VLB 900 2/X	VLB 1200 2/X	VLB 1500 2/X
Electrical power (kW)	0.73	1.25	1.5
Centrifugal force (kg)	700	1300	2200
Screening decks	2	2	2
Mesh surface (m ²)	0.587 + 0.587	0.932 + 0.932	1.575 + 1.575
Weight (kg)	165	195	320

Application

- Slip screening after milling.
- Waste water screening.

Advantages

- High performance thanks to the great centrifugal force applied to the motor.
- Rapid ejection of reject material above the net, to increase the output and service life of the nets.
- Extremely reliable thanks to the sturdy structure.



PATENTED model

SIEVES FOR
SLIPS

VIBRATING SIEVES - Slip screening

VLM 900-1200-1500- 2000 1/X



Round sieve for slips and waste water in general. Production of this sieve began fifty years ago. Over the years, it has been upgraded and innovated to reach the current level of reliability and high performance. The vibrating system keeps the net free from any residue and allows for non-stop machine operation.

Construction features

- High spray guard with ring clamping system.
- Parts in contact with materials are made of AISI 304 stainless steel.
- Electric motor vibrator, IP 65 protection rating.
- Galvanised base with ABS hatch.
- Wear-proof diffuser with quick coupling.



Technical features	VLM 900 1/X	VLM 1200 1/X	VLM 1500 1/X	VLM 2000 1/X
Electrical power (kW)	0,73	1,25	1,5	4,25
Centrifugal force (kg)	850	1750	2150	6500
Screening decks	1	1	1	1
Mesh surface (m ²)	0,587	0,932	1,575	2,7
Weight (kg)	175	210	450	700

Application

- Slip screening after milling.
- Waste water screening.

Advantages

- High performance thanks to the great centrifugal force applied to the motor.
- Rapid ejection of reject material above the net, to increase the output and service life of the nets.
- Extremely reliable thanks to the sturdy structure.
- New motor vibrator with two-year warranty.

Round sieve for slips and waste water in general.
Production of this sieve began fifty years ago. Over the years, it has been upgraded and innovated to reach the current level of reliability and high performance.
The vibrating system keeps the net free from any residue and allows for non-stop machine operation.

Construction features

- High spray guard with ring clamping system.
- Parts in contact with materials are made of AISI 304 stainless steel.
- Electric motor vibrator, IP 65 protection rating.
- Galvanised base with ABS hatch.
- Wear-proof diffuser with quick coupling.

Technical features	VLM 900 2/X	VLM 1200 2/X	VLM 1500 2/X	VLM 2000 /X
Electrical power (kW)	0,73	1,25	1,5	4,25
Centrifugal force (kg)	850	1750	2150	6500
Screening decks	2	2	2	2
Mesh surface (m²)	0,587 + 0,587	0,932 + 0,932	1,575 + 1,575	2,7+2,7
Weight (kg)	200	240	480	800

Application

- Slip screening after milling.
- Waste water screening.

Advantages

- High performance thanks to the great centrifugal force applied to the motor.
- Rapid ejection of reject material above the net, to increase the output and service life of the nets.
- Extremely reliable thanks to the sturdy structure.
- New motor vibrator with two-year warranty.



SIEVES FOR
SLIPS

VIBRATING SIEVES - High performance

EVO 1200 - 1500 2+1/X

CUCCOLINI
INTESA

The latest development of Cuccolini. This is an outstanding step forward in the field of ceramic slip grading. The features that make the "EVO" sieve absolutely unique include:

- Extremely high output (from 3 to 6 times higher than that of a standard VLB - VLM sieve)
- Closed screen with automatic washing system.

Construction features

- 1 rough-screening net and 2 screening nets in series.
- Electric motor vibrator, IP 65 protection rating.
- Parts in contact with materials are made of AISI 304 stainless steel.
- Large inspection hatches.
- Supporting nets.



PATENTED model

Technical features	EVO 1200	EVO 1500
Electrical power (kW)	1.5	1.85
Centrifugal force (kg)	1600	2200
Mesh surface (m ²)	0.932x3	1.575x3
Weight (kg)	290	375

Application

- Slip screening after milling.

Advantages

- Completely closed and equipped with automatic washing system.
- Reduces the size of a conventional system by 70%.
- Reduced energy and maintenance costs.

AUTOMATIC system for checking BREAKAGE OF NETS capable of performing three operations:

- Grading,
- Automatically signalling breakage of the net upstream,
- Signalling breaking of its own net.

It is composed of a vibrating sieve installed on a load cell. The outlet above the net is fitted with a special system that, in the event that the net upstream breaks, withholds the reject materials hence determining an increase in weight and activating an alarm signal. On the contrary, a rapid reduction of weight signals breakage of the sieves own net.

Construction features

- Parts in contact with materials are made of AISI 304 stainless steel.
- Cover with inspection hatch and wear-proof diffuser.
- Load cell made of stainless steel with IP67 protection rating.
- Outlet above the net with cap and gasket for sealing.

Technical features

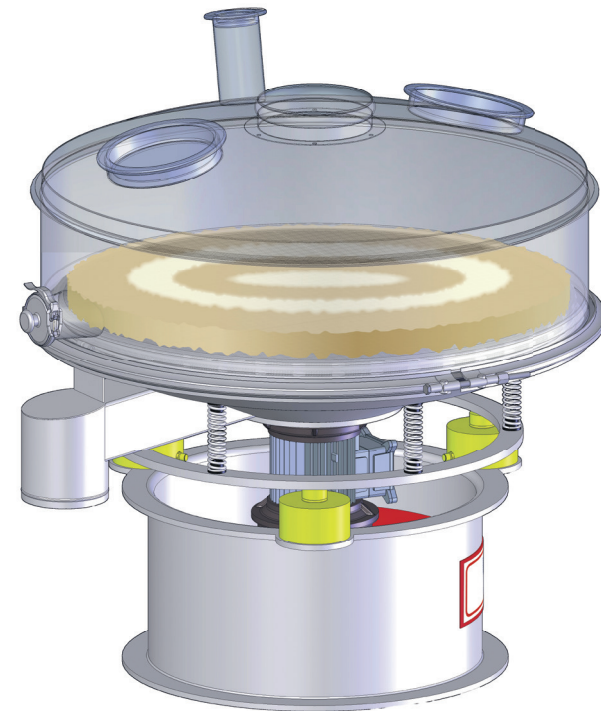
	KILO 800	KILO 900	KILO 1200
Electrical power (kW)	0.48	0.73	1.25
Centrifugal force (kg)	600	1050	1300
Screening decks	1	1	1
Mesh surface (m ²)	0.377	0.588	0.935
Weight (kg)	80	140	165

Application

- Slip grading downstream to EVO sieve(s).
- Slip grading downstream to VLB/VLM sieve(s).

Advantages

- Automated control of mesh efficiency.
- Grading with impure particle withholding function.
- Possibility to be installed in existing systems.
- Slip grading downstream to VLB/VLM sieve(s).



PATENTED model

SIEVES FOR SLIPS

VIBRATING SIEVES - Glaze screening

VSB 250

CUCCOLINI[®]
INTESA

Small round sieve for glaze, engobe and glaze for flash-effects to be installed on board tanks.

Particularly recommended for glazing lines, to eliminate lumps and impure particles from the glaze recycled by belt scrapers.

Construction features

- Full open upper band.
- Band clamping system with fast-fitting hooks.
- Electric motor vibrator, IP 65 protection rating.
- All parts are made of AISI 304 stainless steel.



Technical features

VSB 250

Electrical power (kW)	0.100
Centrifugal force (kg)	97
Screening decks	1
Mesh surface (m ²)	0.04
Weight (kg)	16

Application

- In glazing lines.

Advantages

- High performance thanks to the high frequency vibration system.
- The excellent mesh surface / performance ratio makes the machine very versatile.
- Easy replacement of net thanks to the exclusive stretching system.

Vibrating sieve to be installed on board tanks for screening recycled glaze and the normal glaze supply.
 Easy to install thanks to the exclusive fast-fitting system.

Construction features

- Support for rapid installation on tanks.
- AISI 304 stainless steel structure 304
- ABS cover.
- Electric motor vibrator, IP 65 protection rating.

Technical features

VSM 450 1/Y

Electrical power (kW)	0.18
Centrifugal force (kg)	170
Screening decks	1
Mesh surface (m ²)	0.104
Weight (kg)	27

Application

- For installation on tanks within glazing lines.
- Screening recycled glaze coming from decorating machines.

Advantages

- Compact construction.
- Fast-fitting system for installation on tanks.
- The net ring with double groove makes net replacement extremely rapid.
- Excellent mesh surface/performance ratio.



VIBRATING SIEVES - Glaze screening

VSB 450 1/Y

CUCCOLINI®
INTESA

Round screen with trolley for glaze, engobe and glaze for flash-effects to be installed within glazing lines. Also suitable for grading at the outlet of small mills for glaze and micro-ball mills for screen-printing paste.

Construction features

- Trolley made of AISI 304 stainless steel.
- Adjustable height.
- Cylindrical upper ring made of ABS with knobs for clamping.
- Electric motor vibrator, IP 65 protection rating.
- Available with a stainless steel cover.



Technical features

VSB 450 1/Y

Electrical power (kW)	0.18
Centrifugal force (kg)	170
Screening decks	1
Mesh surface (m ²)	0.104
Weight (kg)	41

Application

- In glazing lines.
- For supplying glaze to tanks.
- At the outlet of storage tanks.

Advantages

- The trolley guarantees versatility and ease of movement.
- Excellent mesh surface/performance ratio.

Round screen for grading glaze, engobe and viscous liquid. Ultra-high frequency vibration to allow for use of ultra-fine mesh. The trolley with adjustable height makes movement and therefore tank supply very easy.

Construction features

- Trolley made of AISI 304 stainless steel with adjustable height.
- AISI 304 stainless steel structure.
- Cylindrical upper ring made of ABS with knobs for clamping.
- Electric motor vibrator, IP 65 protection rating.
- Available with stainless steel cover and outlet with plug.



SIEVES FOR
GLAZE

Technical features

VSB 600 1/Y

Electrical power (kW)	0.48
Centrifugal force (kg)	428
Screening decks	1
Mesh surface (m ²)	0.264
Weight (kg)	57

Application

- In glazing lines.
- At the outlet of mills.
- At the outlet of storage tanks.

Advantages

- The trolley guarantees versatility and ease of movement.
- Excellent mesh surface/performance ratio.

VIBRATING SIEVES - Glaze screening

VSB 800 - 900 - 1200 1/Y



Round screen for grading glaze, engobe and viscous liquid. Ultra-high frequency vibration to allow for use of ultra-fine mesh. The trolley with adjustable height makes movement and therefore tank supply very easy.

Construction features

- Trolley made of AISI 304 stainless steel with adjustable height.
- AISI 304 stainless steel structure.
- Reject material outlet with rubber plug.
- Upper cylindrical band with ring clamping system
- Electric motor vibrator, IP 65 protection rating.
- VSB 900 available with ABS band.



Technical features

Technical features	VSB 800 1/Y	VSB 900 1/Y	VSB 1200 1/Y
Electrical power (kW)	0.48	0.73	1.25
Centrifugal force (kg)	600	1050	1300
Screening decks	1	1	1
Mesh surface (m ²)	0.36	0.587	0.932
Weight (kg)	70	120	165

Application

- In glazing lines.
- At the outlet of mills.
- At the outlet of storage tanks.

Advantages

- High performance thanks to the considerable centrifugal force applied.
- The trolley guarantees versatility and ease of movement.

Round screen for grading glaze, engobe and viscous liquid. Ultra-high frequency vibration to allow for use of ultra-fine mesh. The trolley with adjustable height makes movement and therefore tank supply very easy.

Construction features

- Trolley made of AISI 304 stainless steel with adjustable height.
- AISI 304 stainless steel structure.
- Reject material outlet with rubber plug.
- Upper cylindrical band with ring clamping system
- Electric motor vibrator, IP 65 protection rating.
- VSB 900 available with ABS band.

Technical features	VSB 800 2/Y	VSB 900 2/Y	VSB 1200 2/Y
Electrical power (kW)	0.48	0.73	1.25
Centrifugal force (kg)	600	1050	1300
Screening decks	2	2	2
Mesh surface (m ²)	0.36 + 0.36	0.587 + 0.587	0.932 + 0.932
Weight (kg)	90	145	195

Application

- In glazing lines.
- At the outlet of mills.
- At the outlet of storage tanks.

Advantages

- High performance thanks to the considerable centrifugal force applied.
- The trolley guarantees versatility and ease of movement.



SIEVES FOR
GLAZE

TROLLEY UNITS - Mill discharge

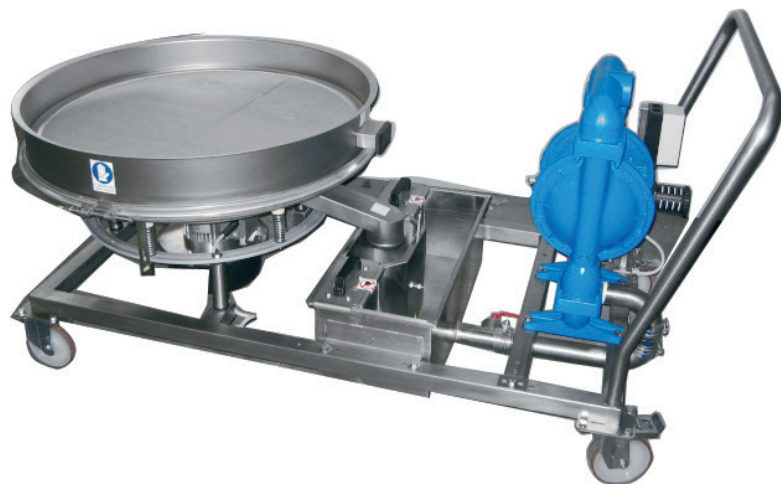
GRM 800 - 900 - 1200

CUCCOLINI®
INTESA

Mobile unit on wheels for screening, iron removal and transfer of glaze. The small dimensions make this the ideal machine for use at the outlet of mills or of glaze storage tanks. The GRM version is equipped with neodymium magnetic bars installed within two containers in the tank upstream to the pump.

Construction features

- Trolley and structure made of AISI 304 stainless steel.
- Iron remover by gravity with permanent magnets.
- Pneumatic pump for glaze transfer.
- Electrical equipment with IP65 protection rating.



Technical features

	GRM 800	GRM 900	GRM 1200
Electrical power (kW)	0.48	0.73	1.25
Centrifugal force (kg)	680	1050	1300
Pneumatic pump	1" 1/2	2"	2"
Max. operating temperature (°C)	80	80	80
Screening decks	1	1	1
Mesh surface (m ²)	0.36	0.587	0.932
Weight (kg)	170	205	250

Application

- At the outlet of mills for glazes.

Advantages

- High performance thanks to the considerable centrifugal force applied to the screen.
- The trolley unit guarantees ease of movement.
- Great versatility since the machine combines three functions in a single unit.

Mobile unit on wheels for screening, iron removal and transfer of glaze. The small dimensions make this the ideal machine for use at the outlet of mills or of glaze storage tanks. The GRP version is equipped with neodymium magnetic bars installed within a water-tight container downstream to the pump.

Construction features

- Trolley and structure made of AISI 304 stainless steel.
- Iron remover by pressure with permanent magnets.
- Pneumatic pump for glaze transfer.
- Electrical equipment with IP65 protection rating.

Technical features

	GRP 800	GRP 900	GRP 1200
Electrical power (kW)	0.48	0.73	1.25
Centrifugal force (kg)	680	1050	1300
Pneumatic pump	1" 1/2	2"	2"
Max. operating pressure (bar)	1.5	1.5	1.5
Max. operating temperature (°C)	80	80	80
Screening decks	1	1	1
Mesh surface (m ²)	0.36	0.587	0.932
Weight (kg)	160	210	255

Application

- At the outlet of mills for glazes.

Advantages

- High performance thanks to the considerable centrifugal force applied to the screen.
- The trolley unit guarantees ease of movement.
- Great versatility since the machine combines three functions in a single unit.



TROLLEY UNITS

TROLLEY UNITS - Mill discharge

GRE 800 - 900 - 1200



Mobile unit on wheels for screening, iron removal and transfer of glaze. The small dimensions make this the ideal machine for use at the outlet of mills or of glaze storage tanks. The GRE version is equipped with an electric iron removal downstream to the pump.

Construction features

- Trolley and structure made of AISI 304 stainless steel.
- Electromagnetic iron remover by pressure.
- Pneumatic pump for glaze transfer.
- Electrical equipment with IP65 protection rating.



Technical features	GRE 800	GRE 900	GRE 1200
Electrical power (kW)	0.48+0.3	0.73+0.3	1.25+0.3
Centrifugal force (kg)	680	1050	1300
Pneumatic pump	1" 1/2	2"	2"
Max. operating pressure (bar)	6	6	6
Max. operating temperature (°C)	80	80	80
Screening decks	1	1	1
Mesh surface (m²)	0.36	0.587	0.932
Weight (kg)	380	400	420

Application

- At the outlet of mills for glazes.

Advantages

- High performance thanks to the considerable centrifugal force applied to the screen.
- The trolley unit guarantees ease of movement.
- Great versatility since the machine combines three functions in a single unit.

Mobile unit on wheels for screening, iron removal and transfer of glaze. The small dimensions make this the ideal machine for use at the outlet of mills or of glaze storage tanks. The GRC version is equipped with neodymium magnetic bars installed within two containers in the tank of the pump. In the GRC version, the pump is of the centrifugal type and is electrically operated.

Construction features

- Trolley and structure made of AISI 304 stainless steel.
- Iron remover by gravity with permanent magnets.
- Centrifugal pump for glaze transfer along short distances.
- Electrical equipment with IP65 protection rating.

Technical features

	GRC 800	GRC 900	GRC1200
Electrical power (kW)	0.48+2,2	0.73+2,2	0.73+2,2
Centrifugal force (kg)	680	1050	1300
Max. operating pressure (bar)	0.5	0.5	0.5
Max. operating temperature (°C)	80	80	80
Screening decks	1	1	1
Mesh surface (m ²)	0.36	0.587	0.932
Weight (kg)	140	160	200

Application

- At the outlet of mills for glazes.
- For pump along short distances.

Advantages

- High performance thanks to the considerable centrifugal force applied to the screen.
- The trolley unit guarantees ease of movement.
- Great versatility since the machine combines three functions in a single unit.
- No consumption of compressed air.



TROLLEY UNITS - Glazing lines

GRS 600 - 800 - 900

CUCCOLINI®
INTESA

Trolley unit for grading and screening glaze and engobe within glazing lines.

The tank with recycling pump allows product coming from the belt scrapers and from the “overflow” system to be screened before being conveyed to the tank of the decorating unit.

Construction features

- Trolley and structure made of AISI 304 stainless steel.
- Centrifugal pump for screen supply.
- Iron remover with neodymium bars - OPTIONAL.
- Electric motor vibrator, IP 65 protection rating.

Technical features

	600	800	900
Electrical power (kW)	0.48+0.75	0.48+0.75	0.73+0.75
Centrifugal force (kg)	428	680	1050
Screening decks	1	1	1
Mesh surface (m ²)	0.264	0.36	0.587
Weight (kg)	100	130	200

Application

- Installed along glazing lines, it performs 4 functions:
- screening of glaze supplied to tank;
- recycling and screening of glaze to apply;
- recycling of glaze coming from belt scrapers;
- iron removal.

Advantages

- Great versatility since the machine combines three functions in a single trolley unit.
- Compact dimensions and a pump assembly that remains below the glazing line.
- Extremely easy to clean.



Iron removal filter operating by pressure, with permanent magnets. The compact dimensions, high magnetic force of the neodymium bars and the water-tight enclosure make this system ideal for use within glazing lines, both on tanks and along glaze transfer pipes.

Construction features

- Container made of AISI 304 stainless steel.
- Fast-fitting cover.

Technical features

	PZP 93	PZT 253
Magnetic bars	n°3 Ø25x90	n°3 Ø25x250
Max. operating temperature (°C)	80	80
Max. operating pressure (bar)	1.5	1.5
Rated power (Gauss)	12,000	12,000
Weight (kg)	3.1	4.8

Application

- Removal of iron from glaze.

Advantages

- Easy installation in glazing departments.
- Excellent iron removing efficiency.
- Easy to clean.



IRON REMOVERS - Liquid

PZP 200 - PZT 306

CUCCOLINI®
INTESA

Iron removal filter operating by pressure, with permanent magnets. Recommended for glaze preparation departments, either as an independent unit or installed on GRP trolley units with vibrating sieves and transfer pumps.

Construction features

- Container made of AISI 304 stainless steel.
- Air-tight cover with hinge.
- Tap for rapid emptying.



Technical features

	PZP 200	PZT 306
Magnetic body	FPT 200 magnetic unit	Neodymium bars
Magnetic bars		n°6 Ø25x280
Max. temperature with Para rubber gasket (°C)	60	60
Max. temperature with EPDM gasket (°C)	100	100
Max. operating pressure (bar)	1.5	1.5
Rated power (Gauss)	6,000	12,000
Weight (kg)	20	15

Application

- Removing iron from glaze and slips.

Advantages

- Easy to install in transfer systems.
- Excellent iron removing efficiency.
- Easy to clean.

Iron remover with permanent magnets for glaze, slips and waste water. The open container allows for easy removal and cleaning of the magnets. Available with magnetic bars or grids.

Construction features

- Container made of AISI 304 stainless steel.
- Tap for rapid emptying.

Technical features	1/140	2/140	1/200	2/200
Magnetic unit	Nr.1 Ø140	Nr.2 Ø140	Nr.1 Ø200	Nr.2 Ø200
Rated power (Gauss)	12000	12000	12000	12000
Magnetic unit	1	2	1	2
Magnetic bars Ø 25 mm	Nr.4	Nr.4+4	Nr. 6	Nr. 6+6
Weight (kg)	11	20	20	40

Application

- Removing iron from glaze and slips.

Advantages

- Easy installation.
- Excellent iron removing efficiency.
- Easy to clean.



IRON REMOVERS
FOR LIQUID

IRON REMOVERS - Liquid

DLP 142-205-245-300-350-400

CUCCOLINI®
INTESA

Electromagnetic filter operating by PRESSURE for glaze, slips and water.

The operating principle guarantees optimal and close contact between the liquid treated and the magnetic grids hence ensuring excellent iron removal.

Construction features

- Threaded female fittings.
- DC electric coil.
- Reinforced grids made of MAGNETIC STAINLESS STEEL.
- Switchboard with IP54 protection rating.



Technical features

Technical features	142	205	245	300	350	400
Electrical power (Watt)	220	300	400	600	800	1000
Max. capacity (dm ³ /h)	2500	6000	12000	16000	24000	34000
Max. operating pressure (bar)	10	8	8	6	5	5
Rated power (Gauss)	4000	4000	4000	4000	4000	4000
Weight (kg)	74	100	180	305	460	650

Application

- Removing iron from water, ceramic slips and glazes.

Advantages

- Excellent iron removal even in the event of particularly fine ferromagnetic particles.
- Easy to clean by deactivating the magnetic field.

Electromagnetic filter operating by PRESSURE for glaze, slips and water. The operating principle guarantees optimal and close contact between the liquid treated and the magnetic grids hence ensuring excellent iron removal. The "Plus" version, with copper winding, offers twice the magnetic efficiency of the standard version. The set of grids, which are 50% thicker, also increase the efficiency of the system.

Construction features

- DC enhanced electric coil.
- Galvanised corrosion-proof body.
- Reinforced grids made of MAGNETIC STAINLESS STEEL.
- Quick closing by means of a handwheel.
- Switchboard with IP54 protection rating.

Technical features	DLP 205 PLUS	DLP 245 PLUS
Electrical power (Watt)	650	1000
Max. capacity (dm ³ /h)	9000	16000
Max. operating pressure (bar)	8	8
Rated power (Gauss)	6000	6000
Weight (kg)	180	240

Application

- High-efficiency removal of iron for glaze and slips.

Advantages

- A higher efficiency even in the event of ultra-fine particles.
- Sturdier grids.
- A 50% larger filtering area.
- Easy to clean by deactivating the magnetic field.



IRON REMOVERS
FOR LIQUID

IRON REMOVERS - Liquid

DLG 142-205-245-300-350-400

CUCCOLINI®
INTESA

Electromagnetic filter operating by GRAVITY for glaze, slips and water.

The operating principle guarantees optimal and close contact between the liquid treated and the magnetic grids hence ensuring excellent iron removal.

Construction features

- Supply tank with float.
- DC electric coil.
- Reinforced grids made of MAGNETIC STAINLESS STEEL.
- Switchboard with IP54 protection rating.



Technical features

	142	205	245	300	350	400
Electrical power (Watt)	220	300	400	600	800	1000
Max. capacity (dm ³ /h)	2500	6000	12000	16000	24000	34000
Rated power (Gauss)	4000	4000	4000	4000	4000	4000
Weight (kg)	70	95	165	290	440	620

Application

- Removing iron from water, ceramic slips and glazes.

Advantages

- Excellent iron removal even in the event of particularly fine ferromagnetic particles.
- Easy to clean by deactivating the magnetic field.

Electromagnetic filter operating by GRAVITY for glaze, slips and water. The operating principle guarantees optimal and close contact between the liquid treated and the magnetic grids hence ensuring excellent iron removal.

The "Plus" version, with copper winding, offers twice the magnetic efficiency of the standard version. The set of grids, which are 50% thicker, also increase the efficiency of the system.

Construction features

- DC enhanced electric coil.
- Galvanised corrosion-proof body.
- Reinforced grids made of MAGNETIC STAINLESS STEEL.
- Supply tank with float and safety valve.
- Switchboard with IP54 protection rating.

Technical features

Technical features	DLG 205 plus	DLG 245 plus
Electrical power (Watt)	650	1000
Max. capacity (dm ³ /h)	9000	16000
Rated power (Gauss)	6000	6000
Weight (kg)	180	200

Application

- High-efficiency removal of iron for glaze and slips.

Advantages

- A higher efficiency even in the event of ultra-fine particles.
- Sturdier grids.
- A 50% larger filtering area.
- Easy to clean by deactivating the magnetic field.



IRON REMOVERS
FOR LIQUID

IRON REMOVERS - Liquid

DLS 205



Electromagnetic filter operating on an UPWARD FLOW basis for glaze, slips and water.

The operating principle guarantees optimal and close contact between the liquid treated and the magnetic grids hence ensuring excellent iron removal.

Construction features

- Stainless steel discharge hopper.
- DC electric coil.
- Reinforced grids made of MAGNETIC STAINLESS STEEL.
- Switchboard with IP54 protection rating.



Technical features

DLS 205

Electrical power (Watt)	300
Max. capacity (dm ³ /h)	6000
Rated power (Gauss)	4000
Weight (kg)	105

Application

- Systems for ceramic slips and glazes.

Advantages

- Good ferromagnetic screening performance for medium-sized particles.
- Easy to clean by deactivating the magnetic field.

Electromagnetic filter operating on an UPWARD FLOW basis for glaze, slips and water. The operating principle guarantees optimal and close contact between the liquid treated and the magnetic grids hence ensuring excellent iron removal.

The "Plus" version, with copper winding, offers twice the magnetic efficiency of the standard version. The set of grids, which are 50% thicker, also increase the efficiency of the system.

Construction features

- DC enhanced electric coil.
- Galvanised corrosion-proof body.
- Reinforced grids made of MAGNETIC STAINLESS STEEL.
- Supply tank with float and safety valve.
- Switchboard with IP54 protection rating.

Technical features

DLG 205 plus

Electrical power (Watt)	650
Max. capacity (dm ³ /h)	9000
Rated power (Gauss)	6000
Weight (kg)	180

Application

- High-efficiency removal of iron for glaze and slips.

Advantages

- A higher efficiency even in the event of ultra-fine particles.
- Sturdier grids.
- A 50% larger filtering area.
- Easy to clean by deactivating the magnetic field.



IRON REMOVERS - Liquid

DEMAG 255 - 405 - 805

CUCCOLINI
INTESA

Iron remover for liquid with automatic cleaning system. The considerable magnetic force of the neodymium permanent magnets used for construction of the rollers and the exclusive automatic cleaning system make DEMAG the most effective and commonly used iron remover for ceramic slips.



Construction features

- Parts in contact with product are made of AISI 304 stainless steel.
- Automatic cleaning system.
- Permanent neodymium magnets.

Technical features

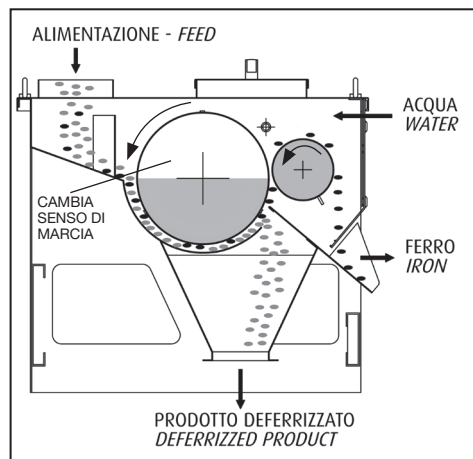
	255	405	805
Electrical power (kW)	0.37+0.18	0.37+0.18	0.55+0.18
Rated power (Gauss)	12000	12000	12000
Max. consumption of water for washing (lt/h)	120	240	240
Weight (kg)	280	310	600
Max. capacity (lt/h)	12000	18000	36000

Application

- At the outlet of vibrating sieves.
- At the outlet of mills.
- Downstream to storage tanks.
- Removing iron from water.

Advantages

- Neodymium magnets offer excellent results in terms of iron removal.
- The automatic cleaning system keeps the machine in perfect working order.
- A high output



ENHANCED iron remover with AUTOMATIC CLEANING SYSTEM The outstanding CAPACITY obtained thanks to the special arrangement of POWERFUL NEODYMIUM MAGNETS incorporated into magnetic rollers with an exclusive construction - the result of two decades of development of the DEMAG system - make this machine the ultimate equipment for removing iron in slips.

Construction features

- Enhanced magnetic rollers.
- Parts in contact with materials are made of AISI 304 stainless steel.
- Programmable automatic cleaning system.
- High performance permanent magnets.

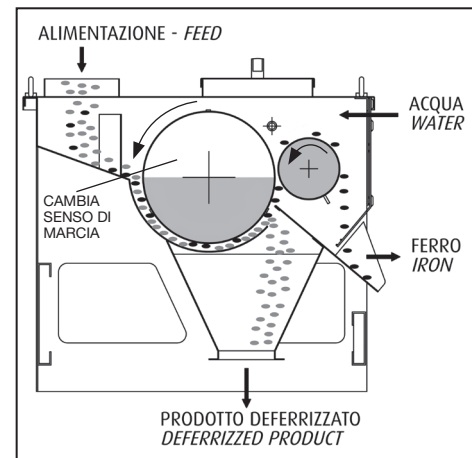
Technical features	255 plus	405 plus	805 plus	1605 plus
Electrical power (kW)	0,37+0,18	0,37+0,18	0,55+0,18	0,55+0,18
Rated power (Gauss)	16000	16000	16000	16000
Max. cons. of water for wash. (lt/h)	120	240	240	320
Weight (kg)	300	350	600	1480
Max. capacity (lt/h)	12000	18000	36000	72000

Application

- At the outlet of vibrating sieves.
- At the outlet of mills.
- Downstream to storage tanks.
- For removing iron from milling water.

Advantages

- Permanent neodymium magnets for reliable iron removal.
- The automatic cleaning system keeps the machine in perfect working order.
- A high output.



IRON REMOVERS
FOR LIQUID

IRON REMOVERS - Raw materials

DECTRON 500 - 600 - 800 - 1000



Electromagnetic iron remover with plates for powder and raw materials of established particle sizes, featuring automatic cleaning system, especially designed for installation on mill feeding belts.

Construction features

- Automatic cleaning system.
- Powerful electromagnet.
- Switchboard with IP 54 protection rating.
- Also available with a manual cleaning system.

Technical features

	500	600	800	1000
Electrical power of magnet (W)	1100	1500	2000	2700
Consumption of compressed air (Nl/min)	10	10	10	10
Weight (kg)	650	850	1100	1400
Width of belt (mm)	500	600	800	1000

Application

- For installation on raw material conveyor belts.

Advantages

- Constant efficiency, guaranteed by the automatic cleaning system.
- Easy to install on existing conveyor belts.
- Great iron removal efficiency thanks to the powerful electromagnetic plates.
- Considerable reduction of maintenance costs and costs relating to subsequent iron removal processes.



IRON REMOVERS FOR POWDER

Iron removers for powder and granular materials with AUTOMATIC CLEANING device. The high GRADIENT of CER has been achieved by means of the special positioning of POWERFUL NEODYMIUM PERMANENT MAGNETS within the roller.

Ease-of-use and of installation, combined with the high GRADIENT, make CER a powerful and efficient iron remover, ideal for use within transport lines.

Construction features

- Entirely made of AISI 304 stainless steel.
- Automatic cleaning system.
- Permanent magnets made of neodymium.

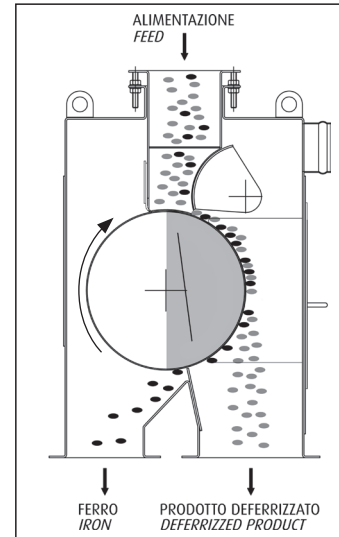
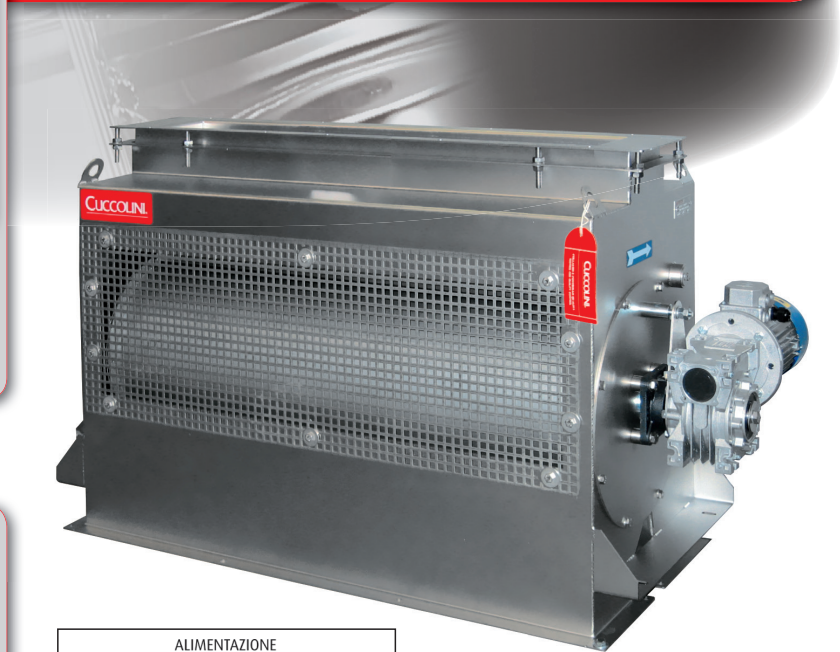
Technical features	CER 600 PLUS	CER 900 PLUS	CER 1200 PLUS
Electrical power (kW)	0.37	0.37	0.37
Drum length (mm)	600	900	1200
Drum diameter (mm)	300	300	300
Max. capacity (t/h)	30	45	60
Rated power (Gauss)	16000	16000	16000
Weight (kg)	162	190	223

Application

- On transport lines for granular spray dried materials.

Advantages

- Simple construction.
- Great iron removal efficiency thanks to the powerful neodymium magnets.
- Considerable reduction of maintenance costs.



IRON REMOVERS
FOR POWDER

IRON REMOVERS - Powder

GLM 1/300

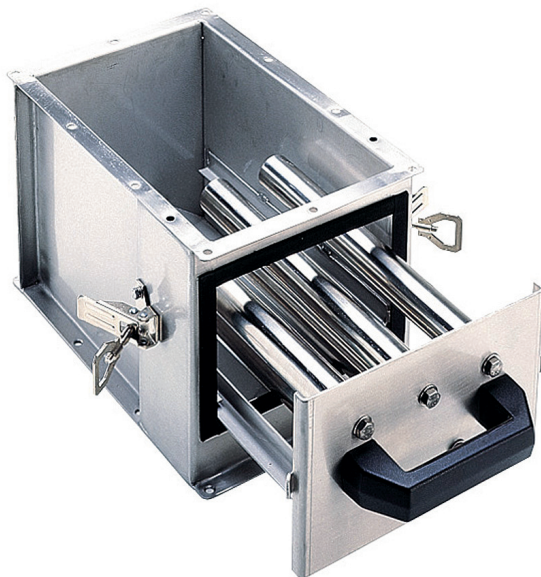
CUCCOLINI®
INTESA

Iron remover with magnetic bars made of neodymium; small, modular and easy to clean.

Ideal for treating small amounts of spray dried material, granules and dry materials in general.

Construction features

- Modular holders.
- Entirely made of AISI 304 stainless steel.
- Permanent magnetic bars made of neodymium.
- Quick closing system - Manual cleaning.



Technical features

GLM 1/300

Rated power (Gauss)	12000
Weight (kg)	10
Magnetic bars	5

Application

- Removing iron from frit, glaze and raw materials in powder form.
- At the outlet of sieves.
- At the end of conveyor belts.

Advantages

- Good iron removing efficiency.
- Easy to install.
- Maintenance-free.

Electronically controlled powder dissolver for:

- recycling powder coming from bag filters
- dispersion of colouring oxide

Construction features

- VERTICAL pump assembly without mechanical seals.
- Protruding shaft without bottom bushing to allow for dry operation.
- Tank with parts coming into contact with the fluid made of AISI 304 stainless steel and remaining parts made of galvanised carbon steel.
- Electropneumatic butterfly valves with lenses, made of AISI 316 stainless steel.
- Recycling pipe made of abrasion-proof rubber.
- A new weighing system allows you to batch water and powder with the utmost ease and accuracy.

Technical features

	EGT - 3	EGT - 4	EGT - 5	EGT - 6
Electrical power (kW)	4	7,5	11	18.5
Tank capacity (lt)	300	500	1000	1500
Weight (kg)	240	330	575	1000

Application

- At the outlet of filters or dedusting cyclones.
- For dissolving powder of different types.

Advantages

- Extremely accurate and reliable batching.
- Pump with wear-proof lining for a long service life.



PATENTED model

STANDARD MESH TABLE

In the table below, you will find the mesh size ratings that Cuccolini recommends for screening ceramic products.

- These recommendations are provided to offer the best combination of output, grading quality and duration of mesh.
- The type of mesh must be chosen on the basis of various parameters, namely: particle size, density, viscosity, residue above the net and type of installation.

The hourly output of vibrating sieves depends on the above mentioned parameters.

Mesh is available in AISI 304 or AISI 316 stainless steel, Pa 6.6 nylon, polyester, polyurethane and high resistance steel.

Net mesh clearance (mm)	MESH	French inches	Wire diameter (mm)	Mesh surface %	Mesh/cm ²
2.49 x 2.49	8	9	0.6	64.6	10.6
2.03 x 2.03	10	11	0.5	64	15.8
1.71 x 1.71	11	12	0.6	54.6	18.8
1.54 x 1.54	12	13	0.6	48.3	21.8
1.01 x 10.01	20	22 1/2	0.22	63.9	65.7
0.514 x 0.514	37	40	0.18	53.9	207
0.277 x 0.277	64	70	0.12	49.8	635
0.247 x 0.247	73	80	0.10	51.8	829
0.209 x 0.209	80	90	0.1	46.3	1050
0.178 x 0.178	90	100	0.1	41.1	1296
0.153 x 0.153	100	110	0.1	36.2	1568
0.141 x 0.141	110	120	0.09	37.1	1886
0.134 x 0.134	120	130	0.08	39.3	2190
0.128 x 0.128	130	140	0.07	41.6	2540
0.125 x 0.125	140	150	0.06	45.6	2916
0.114 x 0.114	145	160	0.06	42.4	3318
0.104 x 0.104	165	180	0.05	45.4	4200
0.089 x 0.089	180	200	0.05	41.1	5184
0.076 x 0.076	200	220	0.05	36.2	6273
0.061 x 0.061	230	250	0.05	30.1	8100

CUCCOLINI® **INTESA** a company of  **SACMI**

TOGETHER, TO OFFER THE BEST QUALITY

IN.TE.SA. s.p.a.

Via Dell'Artigianato, 10 - 42013 Salvaterra di Casalgrande (RE) - Italy

Tel. +39 0522 1885188 - Fax +39 0522 1885190

www.intesa.sacmi.it